



ENBLOC SURFACE MOUNT LED SMOOTH

- Surface mounted luminaire designed for cleanrooms and containment suites.
- Classic luminaire design.
- Highly efficient LED light source.
- Quick and easy assembly.

ENBLOC SURFACE MOUNT LED SMOOTH

Features

Surface mounted luminaire equipped with a highly efficient LED source. The light output of the LED source is 2700 lm or 5400 lm. Luminaire available in two configurations depending on the color temperature of the light source – 3000 K or 4000 K. Luminaire case made from steel sheet, powder coated in white (RAL9016) or grey (RAL9006). Available diffusers: PMMA opal diffuser or micro-prismatic diffuser.

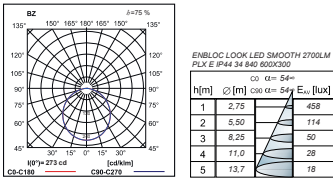


Enbloc Surface Mount LED Smooth PLX

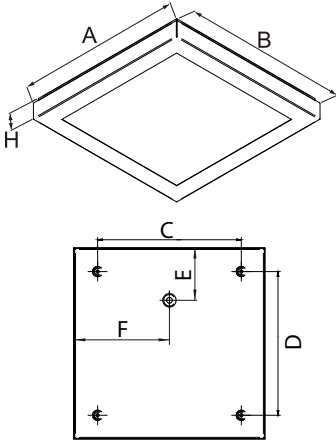
ENBLOC LED SMOOTH

ENBLOC LED SMOOTH

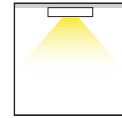
ENBLOC LED SMOOTH
2700LM PLX E IP44 34 840
600X300



Dimensions



Φ [lm]	A (mm)	B (mm)	H (mm)	C (mm)	D (mm)	E (mm)	F (mm)
2700	620	375	61	500	280	188	49
5400	620	625	61	400	400	47	49
5400	1120	375	61	820	280	47	200



ENBLOC SURFACE LED SMOOTH	19 W	LED	2700
ENBLOC SURFACE LED SMOOTH	36 W	LED	5400

Available colour of the light: 830/840

SDCM=5

Lifetime of LED sources - 50000 h (L70/B50)

Operating temperature range:
5° C - 30° C

The power shown refers to the whole system (tolerance +/- 10%).

The given luminous flux refers to LED light sources (tolerance +/- 10% depends on the value of the colour temperature).

Luminaire options

Diffuser:

PLX	PMMA opal diffuser
Micro-PRM	micro-prismatic diffuser

Control gear:

E	driver
EDD	DIM DALI driver